

MODEL NUMBER:

SINGLE POINT INSERTION
ELECTROMAGNETIC FLOW METER
IOM: A-0985A-SPI-MV

SPI - MV - _____ - _____ - _____ - _____ - _____

SELECTION AND CONFIGURATION

SPI-MV- XXX - XX - X - X - X

VALVE SIZE

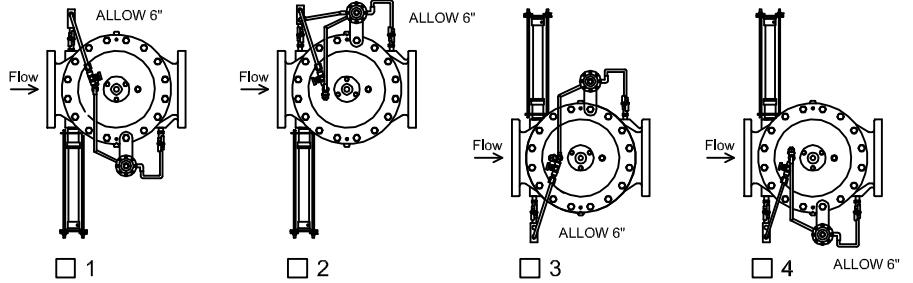
- 003 - 3" 106
- 004 - 4" 106
- 006 - 6" S106
- 008 - 8" S106
- 010 - 10" S106
- 012 - 12" S106
- 016 - 16" S106
- 020 - 20" S106
- 024 - 24" S106
- 028 - 28" S206
- 036 - 36" S106

SUPPLY VOLTAGE

- AC - 90-265VAC, 45-66 Hz (25VA)
- DC - 10-35 VDC (21W)
- BT - BATTERY POWER (0.5W)

**NOTE: BATTERY ONLY AVAILABLE IN LOCAL CONVERTOR

PILOT SYSTEM ORIENTATION

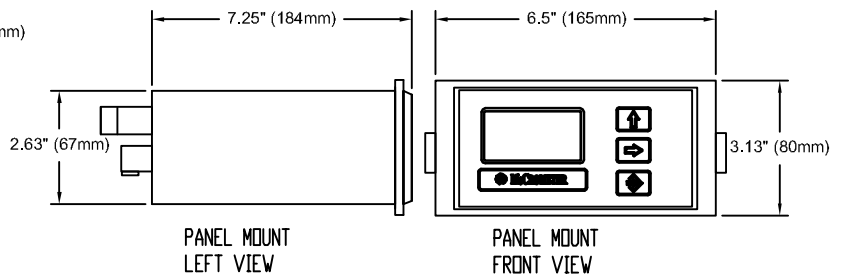
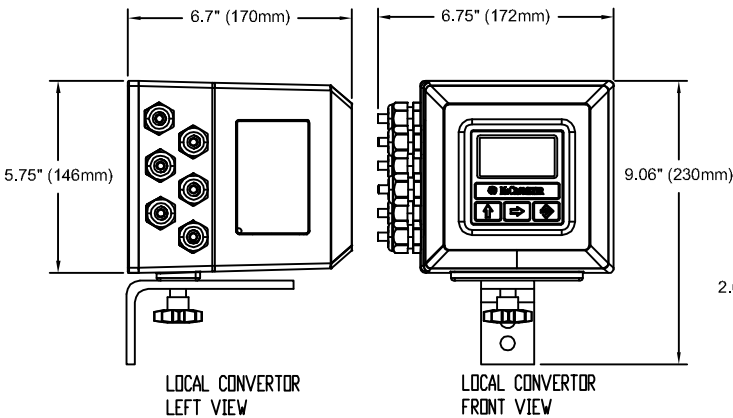


CONVERTER

- L - LOCAL CONVERTER (IP67)
- P - PANEL-MOUNTABLE CONVERTER (IP65)

CABLE LENGTH

- A - 5 FEET
- B - 10 FEET
- C - 20 FEET (STANDARD)
- D - OTHERS: _____



TRANSMITTER/CONVERTER CONFIGURATION

* OPTIONAL

- 1 Flow Output Range: _____
- 2 Display Units: _____
- * 3 Totalizer Pulse Output: _____
- * 4 Alarms: _____

AVAILABLE ALARM OUTPUTS

- SIGN (S): Indicates Flow Direction
- EMPTY PIPE (EP): Indicated Empty Pipe
- OVERFLOW (O): Indicated Out of Range
- HARDWARE ALARM (H): Cumulative Alarm Output; Interrupt Coils, Empty Pipe, Measure Error

ADDITIONAL NOTES:

This quotation/submittal is for valve(s) described above and reflects our understanding of functions required. We assume no responsibility for meeting all stated or implied requirements beyond functions listed above. If above does not adequately describe functions/operation of above products, please ask for a more comprehensive description and mention areas where above description is deficient.