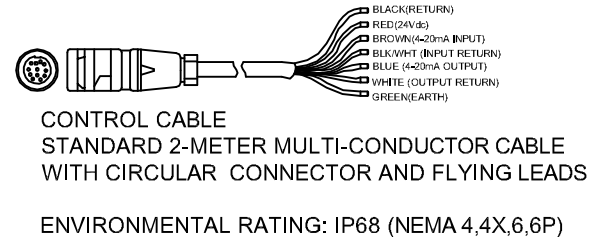
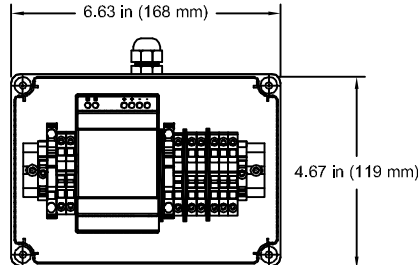
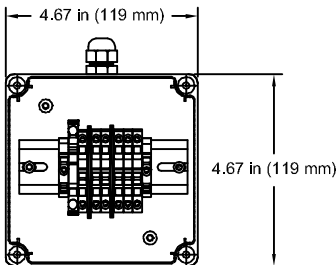
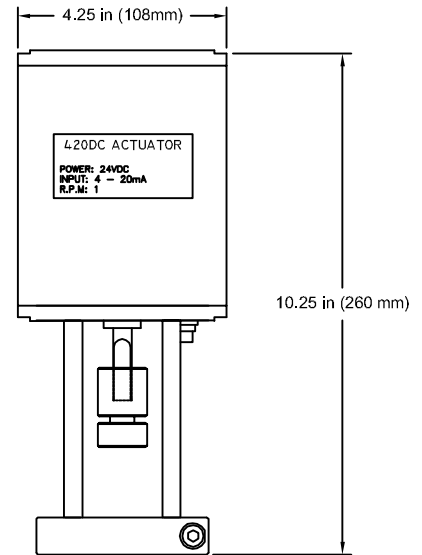
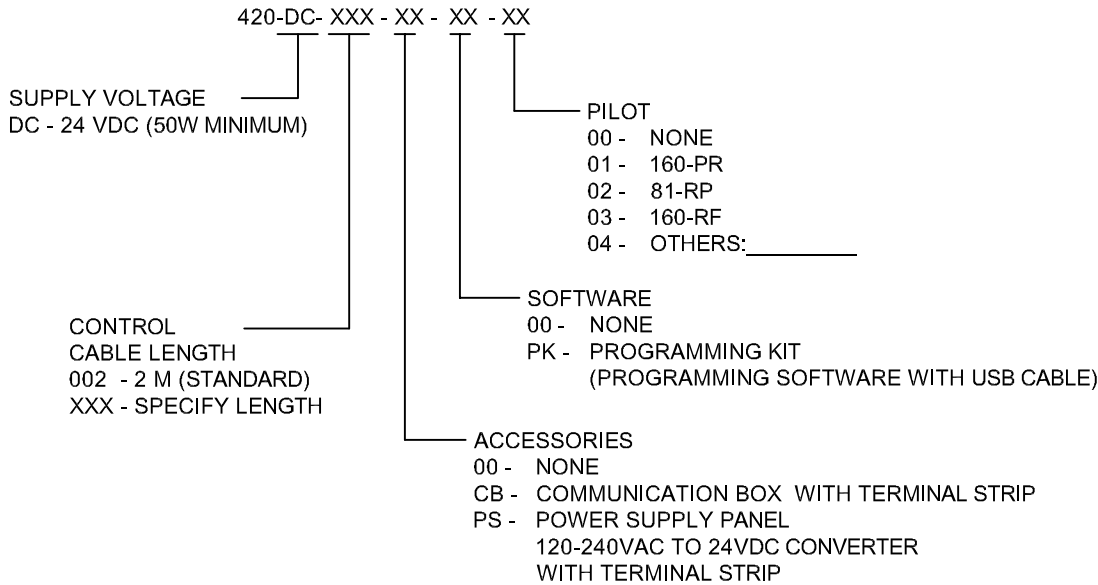


MODEL NUMBER:

SINGER MODEL 420DC
MOTORIZED PILOT ACTUATOR
IOM: A-0984E

420 - DC - _____ - _____ - _____ - _____

SELECTION AND CONFIGURATION



CB - COMMUNICATION BOX
FULLY WIRED WITH CONTROL CABLE
ENVIRONMENTAL RATING: IP67 (NEMA 4,4X,6)

PS - POWER SUPPLY PANEL
120-240VAC TO 24VDC CONVERTER
FULLY WIRED WITH CONTROL CABLE
ENVIRONMENTAL RATING: IP67 (NEMA 4,4X,6)

FACTORY CALIBRATION SERVICE

***OPTIONAL**

ADDITIONAL NOTES:

1 Pilot Range: _____

* 2 Calibration Range:

Minimum setpoint at 4.0 mA: _____

Maximum setpoint at 20.0 mA: _____

NOTE; IF A CALIBRATION RANGE IS NOT SPECIFIED, THE ACTUATOR WILL BE FACTORY CALIBRATED TO THE FULL PILOT SPRING RANGE.

This quotation/submittal is for valve(s) described above and reflects our understanding of functions required. We assume no responsibility for meeting all stated or implied requirements beyond functions listed above. If above does not adequately describe functions/operation of above products, please ask for a more comprehensive description and mention areas where above description is deficient.